

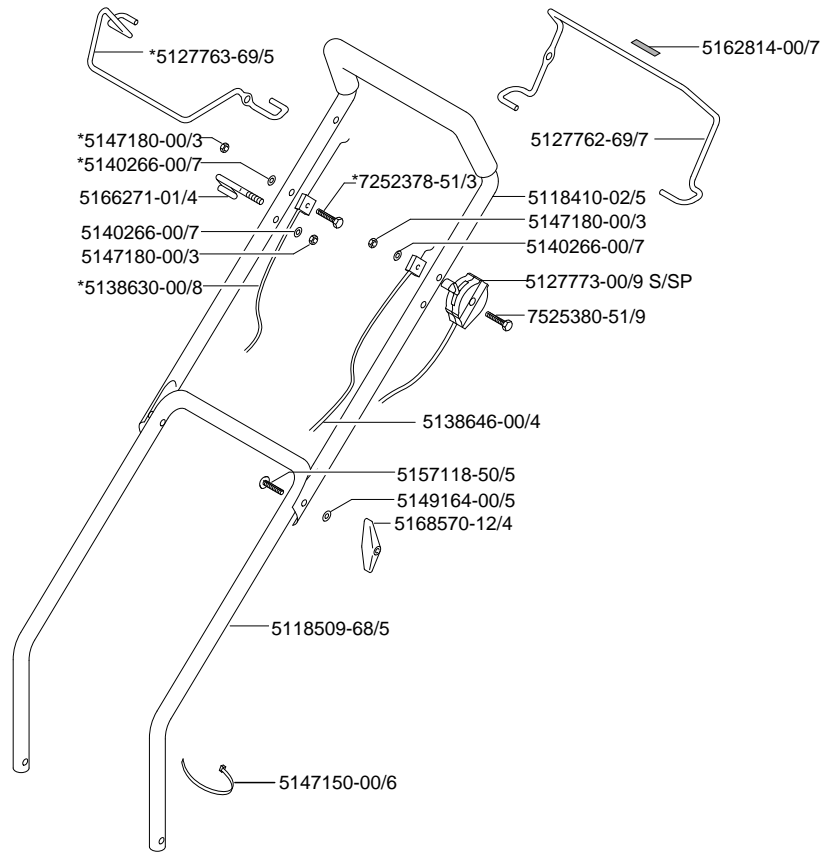


MODEL Partner 431 Range

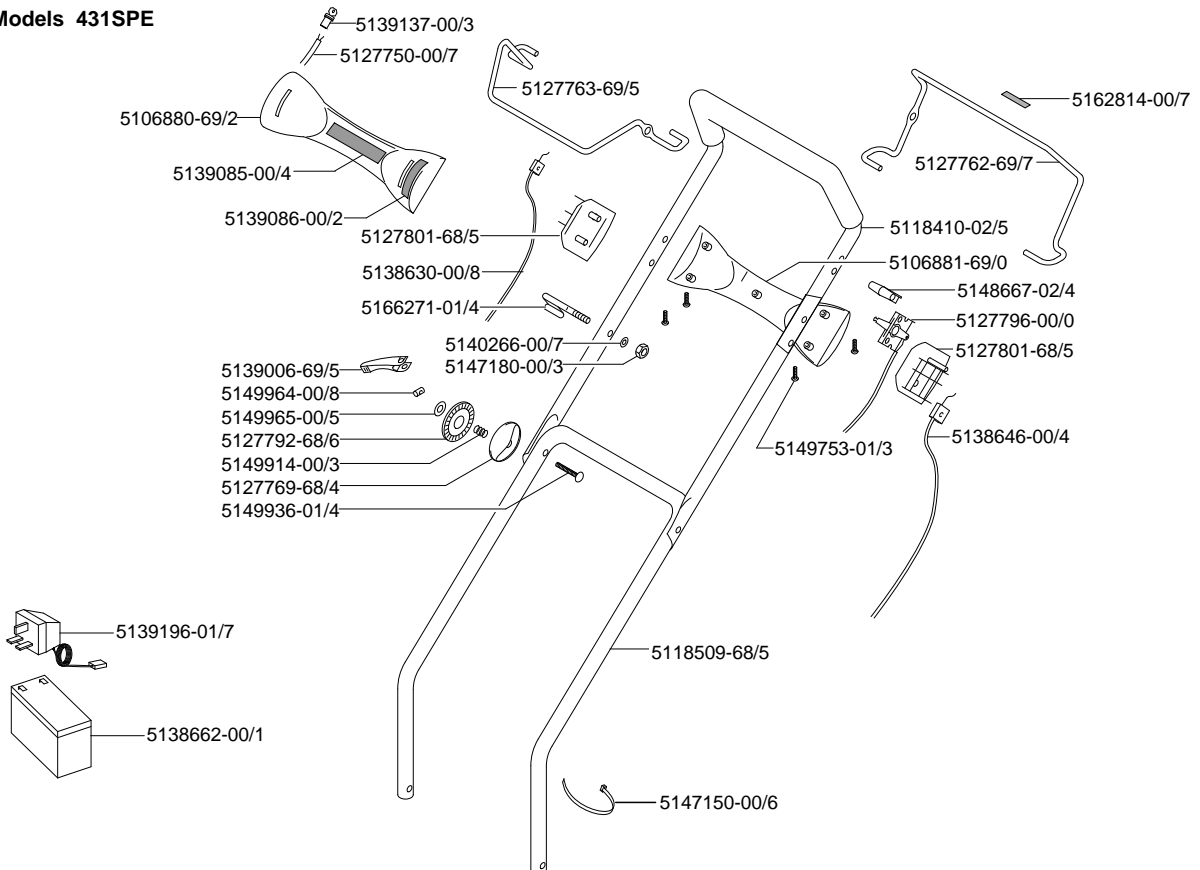
ILLUSTRATED PARTS LIST

9644609-51 431S	9644610-51 431SP	9644616-51 431	9644617-51 431P	9644643-51 431SPE	9644814-51 431S	9644815-51 431SP	9644816-51 431
--------------------	---------------------	-------------------	--------------------	----------------------	--------------------	---------------------	-------------------

Models 431
431 P
431 S
431SP
" * " Items P/SP Only



Models 431SPE





FLYMO & PARTNER OUTDOOR PRODUCTS



PARTS

12A

P987020

MODEL Partner 431 Range

9644609-51
431S

9644610-51
431SP

9644616-51
431

9644617-51
431P

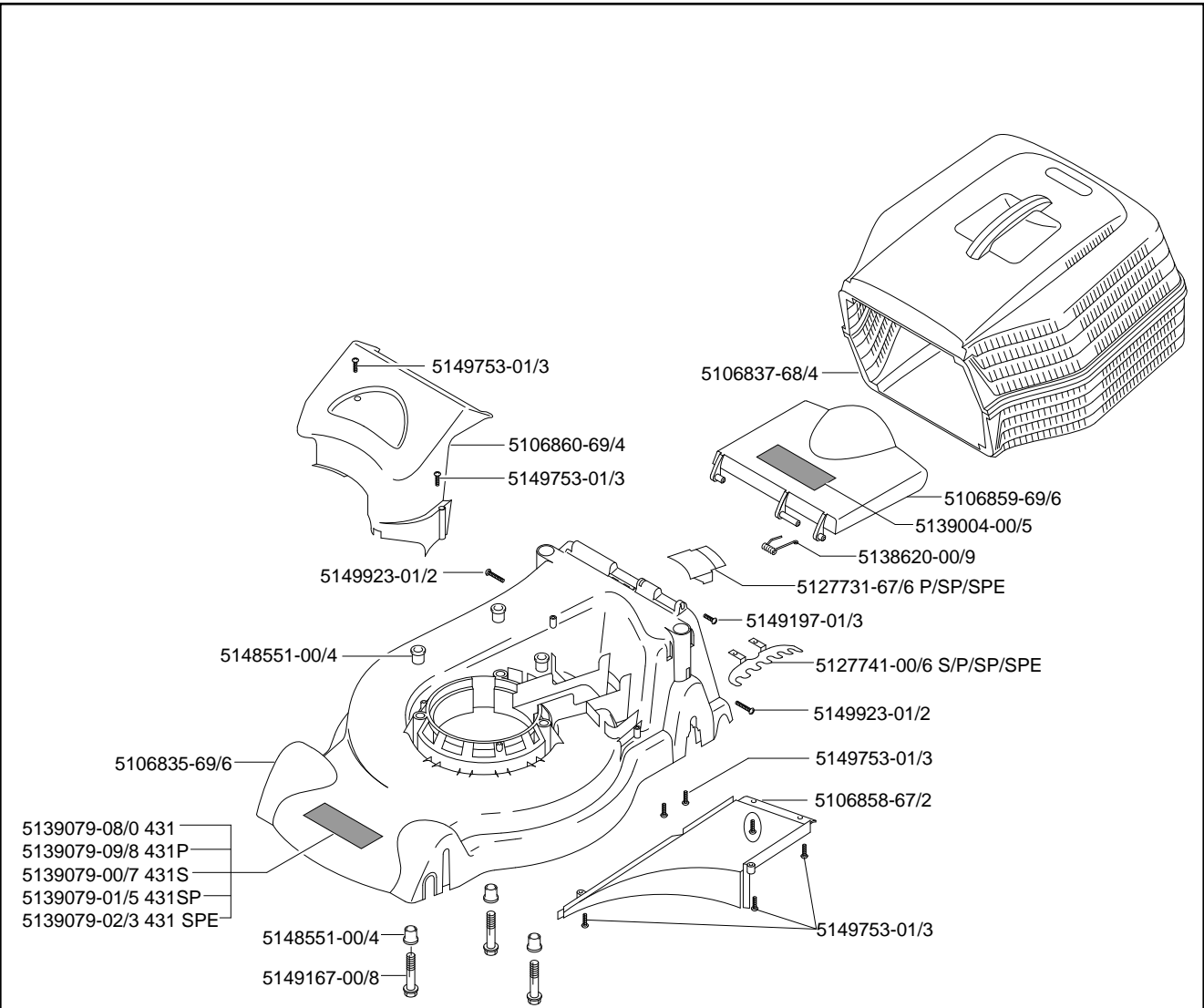
9644643-51
431SPE

9644814-51
431S

9644815-51
431SP

9644816-51
431

ILLUSTRATED PARTS LIST



USE ONLY ON MODELS

- 9644814-51
- 9644815-51
- 9644816-51

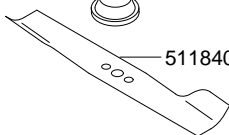
5140053-00/9

5118452-02/7

5118408-00/3

5148598-00/5

5146677-10/8



USE ONLY ON MODELS

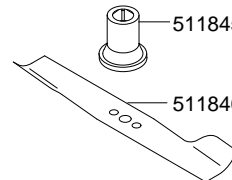
- 9644609-51
- 9644610-51
- 9644616-51
- 9644617-51
- 9644643-51

5118452-05/0

5118408-00/3

5148598-00/5

5146677-09/0



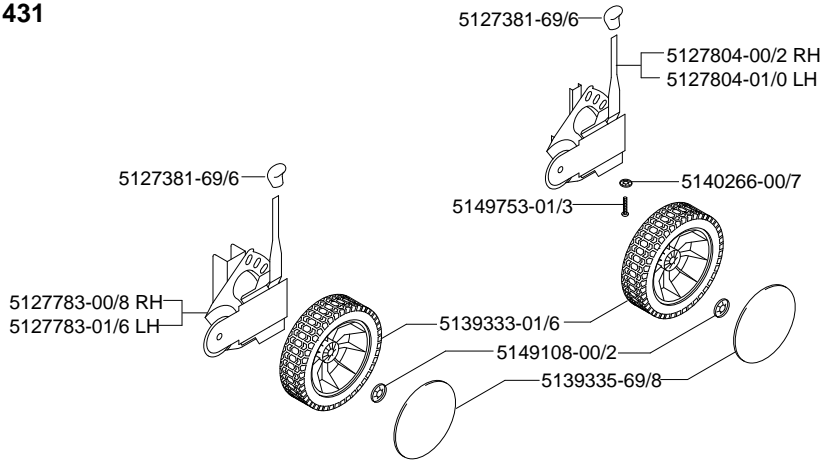


MODEL Partner 431 Range

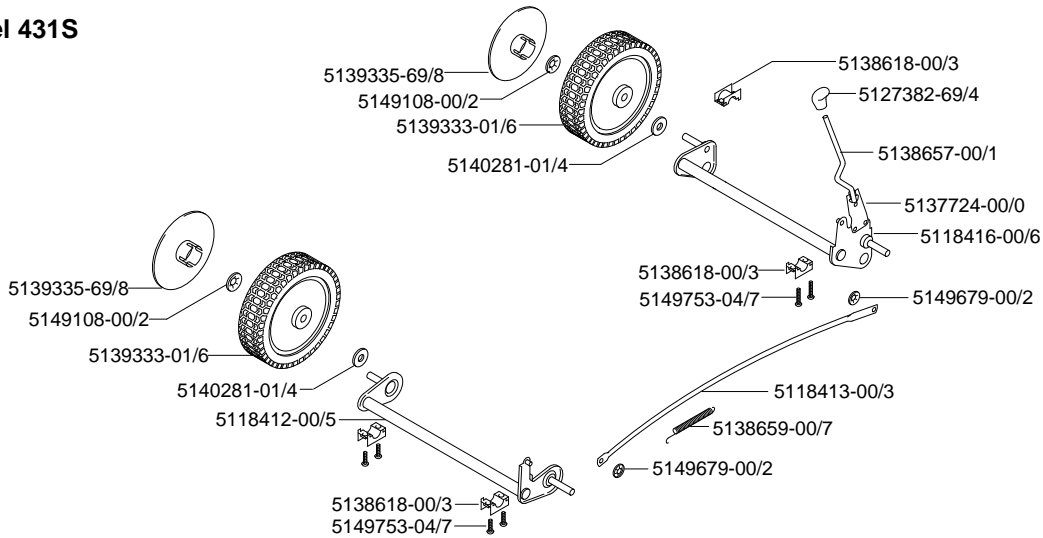
ILLUSTRATED PARTS LIST

9644609-51 431S	9644610-51 431SP	9644616-51 431	9644617-51 431P	9644643-51 431SPE	9644814-51 431S	9644815-51 431SP	9644816-51 431
--------------------	---------------------	-------------------	--------------------	----------------------	--------------------	---------------------	-------------------

Model 431



Model 431S



**Model 431P
431SP
431SPE
*** Items 431P Only**

